

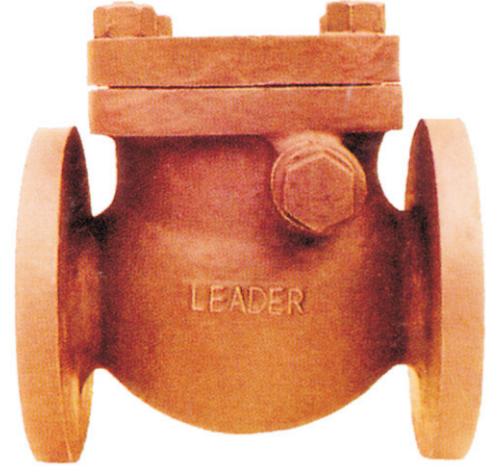
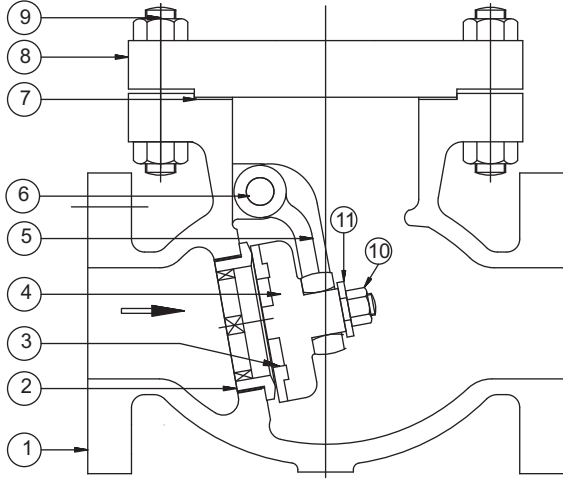
CAST IRON SWING CHECK VALVES- EN-12334

PN 10, PN 16, CLASS 125

SPECIFICATIONS

BOLTED COVER, FLANGES AS PER ANSI B16.1 CLASS 125 OR BS 4504 PN10 PN16-AS APPLICABLE

PRESSURE-TEMPERATURE RATINGS



STANDARD MATERIAL COMBINATION

P. No.	QTY.	DESCRIPTION	MATERIALS	
			Cu-ALLOY TRIM	S.S. TRIM
1	1	BODY	C.I TO EN 1561 Gr. GJL200	C.I TO EN 1561 Gr. GJL200
2	1	BODY SEAT RING	G.M. TO EN 1982 Gr. CCS91K	S.S TO BS 970 Gr. 410 S21/ ASTM A182 F6a OR THEIR Eq.
3	1	DISC FACING RING	G.M. TO EN 1982 Gr. Cc491K	S.S TO BS 970 Gr. 410 S21/ ASTM A182 F6a OR THEIR Eq.
4	1	DISC	C.I TO EN 1561 Gr. GJL200	C.I TO EN 1561 Gr. GJL200
5	1	HINGE	C.I TO EN 1561 Gr. GJL200 OR C.S TO ASTM A216Gr. WCB	C.I TO EN 1561 Gr. GJL200 OR C.S TO ASTM A216Gr. WCB
6	1	HINGE PIN	BRASS TO DIN EN 12165 : 98 CW721R	S.S TO BS 970 Gr. 410 S21/ ASTM A182 F6a OR THEIR Eq.
7	1	GASKET	SUITABLE FOR THE DUTY	SUITABLE FOR THE DUTY
8	1	COVER	C.I TO EN 1561 Gr. GJL200	C.I TO EN 1561 Gr. GJL200
9	1	STUDS & NUTS	CARBON STEEL TO BS 916	CARBON STEEL TO BS 916
10	1	NUT	CARBON STEEL TO BS 916	CARBON STEEL TO BS 916
11	1	WASHER	BRASS TO DIN EN 12165 : 98 CW 721R	S.S TO BS 970 Gr. 410 S21/ ASTM A182 F6a OR THEIR Eq.
12	1	SIDE PLUG	G.M TO EN 1982 Gr. CC491K	S.S TO BS 970 Gr. 410 S21/ ASTM A182 F6a OR THEIR Eq.

PRESSURE / TEMPERATURE RATINGS TO BS 5153

NOMINAL PRESSURE	MAX. PERMISSIBLE GAUGE WORKING PRESSURE °C				
	-10 TO 120 °C	150 °C	180 °C	200 °C	220 °C
PN 10	10 bar	9.2 bar	8.5 bar	8.0 bar	8.0 bar
PN 16	16 bar	14.8 bar	13.9 bar	13.0 bar	13.0 bar

CLASS RATING	SIZES	MAX. PERMISSIBLE GAUGE WORKING PRESSURE °C										
		-10 TO 66	93	107	121	135	149	163	177	191	204	218
CLASS 125	≤12"	13.8 bar	13.1 bar	12.4 bar	12.1 bar	11.7 bar	11.4 bar	10.7 bar	10.3 bar	10.0 bar	9.7 bar	9.0 bar
	> 12" ≤ 18"	10.3 bar	9.3 bar	9.0 bar	8.6 bar	8.3 bar	7.6 bar	7.2 bar	6.9 bar	-	-	-

NOTE: The above data is subject to change without notice.

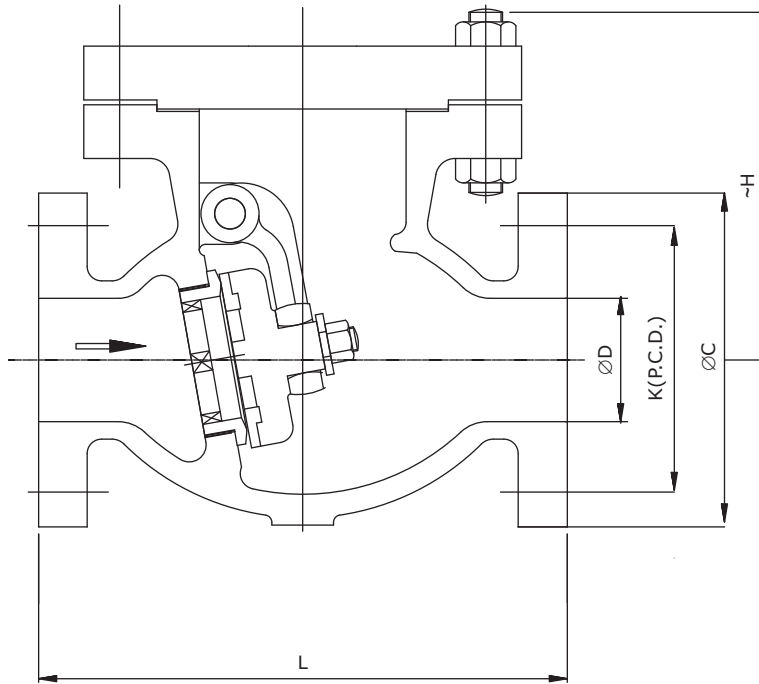


FIG. NO.:CI017/CI018

CATALOGUE FIG. NOS.

ITEM	SIZES	FIG. NO.	END DETAILS
CAST IRON SWING CHECK VALVES-CLASS 125 (Cu-ALLOY TRIM)	≤12"	CI-017 FF	FLANGED ENDS TO ANSI B 16.1 CLASS 125 FF
CAST IRON SWING CHECK VALVES-CLASS 125 (Cu-ALLOY TRIM)	≥12"	CI-018 FF	FLANGED ENDS TO BS 4504 PN 10 FF

DIMENSIONAL DATA

DN NPS	40 1 ½	50 2	65 2 ½	80 3	100 4	125 5	150 6	200 8	250 10	300 12	350 14	400 16	450 18	
L	165	203	216	241	292	330	356	495	622	698	787	914	965	
~H	110	115	135	135	190	192	200	265	335	365	415	470	495	
ØC	38	51	63.5	76	101.5	127	152	203	254	305	355.5	406.5	457	
ØD	127	152	178	191	229	254	279	343	406	483	533	597	635	
K(P.C.D.)	98	121	140	152	191	216	241	299	362	432	476	540	578	
ITEM CODE NOS.	Aprox. Wt. ▲	12.200	16.350	21.900	24.400	47.800	77.400	161.05	161.00	285.00	396.00	450.00	762.00	925.00
	CLASS 125 Cu-ALLOY TRIM	CI 017 I	CI 017 J	CI 017 K	CI 017 L	CI 017 N	CI 017 O	CI 017 P	CI 017 R	CI 017 S	CI 017 T	CI 017 U	CI 017 V	CI 017 W
	Aprox. Wt. ▲	12.200	16.350	21.900	24.400	47.800	77.400	161.05	161.00	285.00	396.00	450.00	762.00	925.00
	CLASS 125 Cu-ALLOY TRIM	CI 018 I	CI 018 J	CI 018 K	CI 018 L	CI 018 N	CI 018 O	CI 018 P	CI 018 R	CI 018 S	CI 018 T	CI 018 U	CI 018 V	CI 018 W

TEST PRESSURES

NOMINAL PRESSURE ACCORDING TO PN OR CLASS DESIGNATION	SIZES	SHELL TEST (HYDROSTATIC)	SEAT TEST (HYDROSTATIC)	STANDARD NO.
PN 10	≥12"	15 bar	10 bar	BS 6755 PART-1
PN 16	≤12"	24 bar	16 bar	
CLASS 125	≤12"	24.1 bar	13.8 bar	
	>12" ≤18"	18.3 bar	10.3 bar	

NOTE: The above data is subject to change without notice.

(▲WEIGHT GIVEN IN KGS)